

Multi-Function Power Entry Modules with RFI Power Line Filters

LA Series



**UL Recognized
CSA Certified
VDE Approved**



FLA/XLA/ZLA

LA Series

The LA series is a multi-function power entry connector with a choice of filtering capabilities. The series features an IEC power line connector, selectable North American or dual European fusing capabilities, DPST on/off switch, and 120/240 voltage selection. The filtered LA units provide a one piece solution to power entry needs and provide a filtering solution for almost any RFI problem. Their vertical design is flange mounted.

This series offers three levels of filtering, all carrying UL recognition, CSA certification, and VDE approval.

FLA Model – General purpose RFI filter designed for susceptibility applications, effectively providing RFI control of line-to-ground noise.

XLA Model – High performance RFI filter designed to bring most digital equipment (including switching power supplies) into compliance with FCC Part 15J, Class B conducted emissions limits.

ZLA Model – Premium performance RFI filter designed to bring most digital equipment (including switching power supplies) into compliance with EN55022, Level B (as well as FCC Part 15J, Class B) conducted emissions limits.

Voltage Selection

To change selected voltage: remove the fuse cartridge using a small blade screwdriver or similar tool; select the desired voltage by matching the arrow on the fuse cartridge to the arrow located on the front of the unit (lower right corner); replace the fuse cartridge *making sure the voltage selection arrow aligns with the arrow located on the front of the unit.*

Fuse Changing

Remove the fuse cartridge using a small blade screwdriver or similar tool; for European fusing pull out the sliding fuse covers located at the top of each fuse compartment; insert desired fuses; push the sliding fuse covers back in place and insert the fuse cartridge back into the unit *making sure the voltage selection arrow aligns with the arrow located on the front of the unit.* (Note: Single North American or European fuse placement is always on the side of the desired voltage selection arrow behind the fuse symbol; the other compartment may be used as a spare or be left blank. Dual European fusing capability is available for 220/240 volts only.)

Specifications

Maximum leakage current, each line-to-ground:

@ 120 VAC 60 Hz:	FLA Model	0.25 mA
	XLA/ZLA Models	0.30 mA
@ 250 VAC 50 Hz:	All Models	0.50 mA

Hipot rating (one minute):

line-to-ground	1500 VAC
line-to-line	1450 VDC

Operating voltages: 110,120, 220/240 VAC

Operating frequency: 50/60 Hz

Rated voltage (max.): 250 VAC

Switch: Double-insulated, rated for 50,000 operations at full load. 35 Amp inrush capability

Fuse (not included): Accepts one 1/4" x 1-1/4" fuse, or two 5 x 20 mm fuses

Terminals: .110 [2.79] terminals

Minimum insertion loss in dB:

Line-to-ground in 50 ohm circuit

Current Rating	Frequency-MHz							
	.01	.05	.15	.5	1	5	10	30
FLA								
5A	-	-	14	21	26	40	46	50
XLA								
3A	2	12	21	35	46	44	44	40
ZLA								
3A	14	28	38	42	40	40	40	40

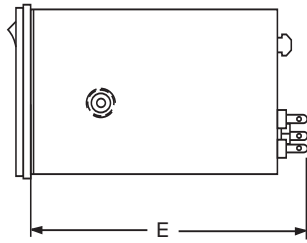
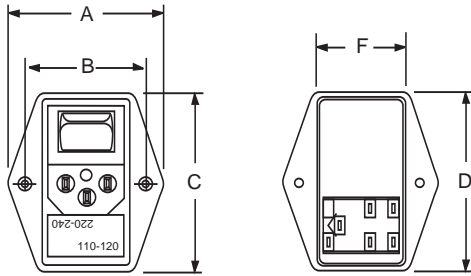
Line-to-line in 50 ohm circuit

Current Rating	Frequency-MHz									
	.02	.03	.05	.07	.15	.5	1	5	10	30
XLA										
3A	-	-	-	5	33	60	65	60	50	50
ZLA										
3A	3	14	29	38	57	72	72	65	55	50

LA Series

Case Style

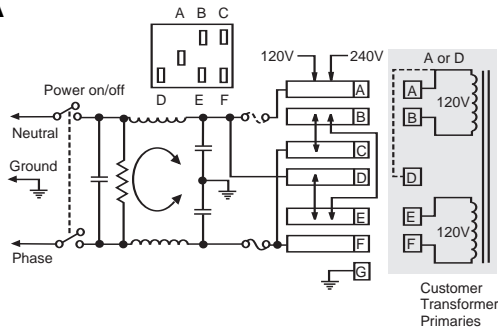
FLA, XLA & ZLA



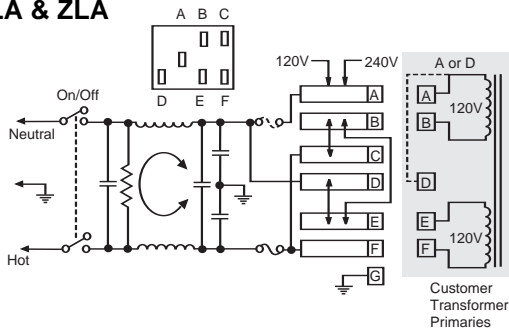
Typical dimensions:
 Terminals: .110 [4.80]
 Holes: .059 [1.5] Dia. Max., except solder lug ground tap with wire wrap.
 Mounting Holes: .142 [3.6] Dia. (2)

Electrical Schematics

FLA



XLA & ZLA



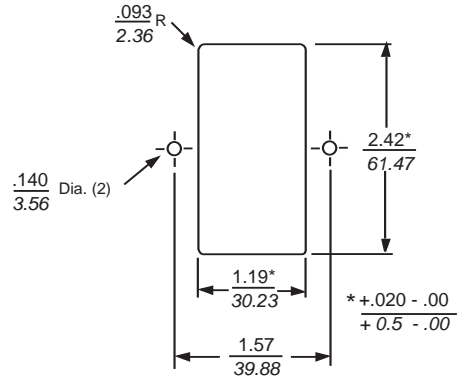
Note: Provision for dual European fusing by connection to "A".
 Resistor location for reference only.

Case Dimensions

Part No.	A (max)	B ± 0.15 ± 0.381	C (max)	D (max)	E (max)	F (max)
5EFLA2S	1.99 50.5	1.57 39.9	2.59 65.79	2.41 61.21	3.16 68.07	1.18 29.97
3EXLA2S	1.99 50.5	1.57 39.9	2.59 65.79	2.41 61.21	4.16 105.7	1.18 29.97
3EZLA2S	1.99 50.5	1.57 39.9	2.59 65.79	2.41 61.21	4.16 105.7	1.18 29.97

Recommended Panel Cutout

FL, XLA & ZLA



Note: All models allow front mounting only.

Part Numbers

5EFLA2S
 3EXLA2S
 3EZLA2S